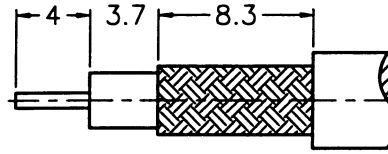
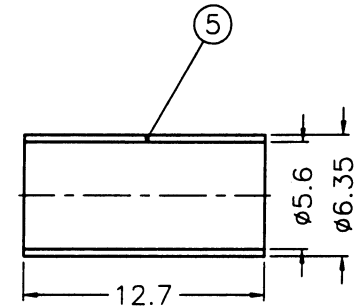
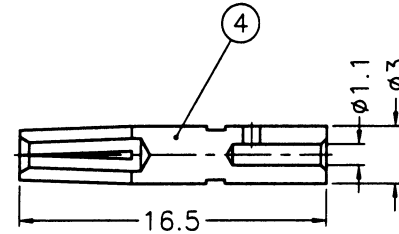
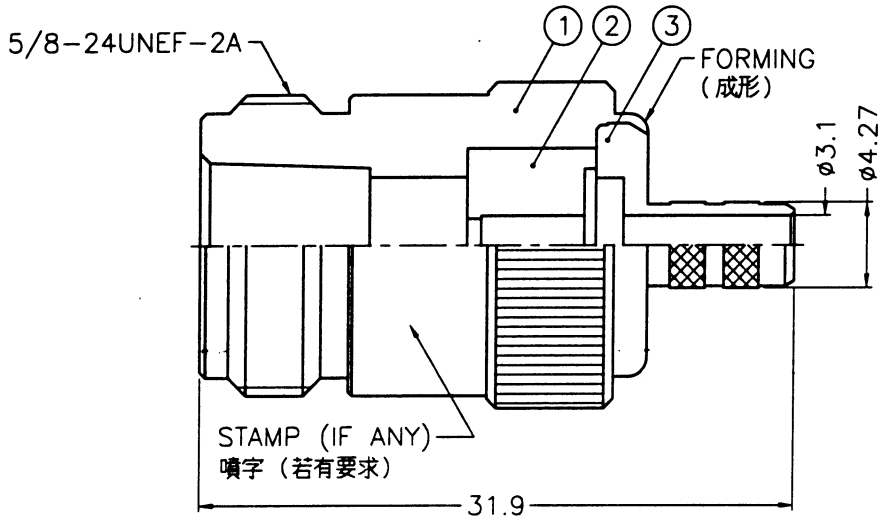


REVISIONS		
ISS	ZONE	DESCRIPTION\PER REQUEST\DATE



RECOMMENDED  
CABLE STRIPPING DIM'S  
(建議剝線尺寸)

**SALES**



ISSUED  
2002. 7. 15  
R&D

- NOTES: FINISH (PLATING THICKNESS IN MICRO-INCHES)
- BRASS PER QQ-B-626
  - NICKEL PL. 100 MIN. THICK OVER COPPER STRIKE
  - PHOSPHOR BRONZE PER QQ-B-750
  - GOLD PL. 3 MIN. THICK OVER NICKEL PL. 100 MIN. THICK OVER COPPER STRIKE
  - TEFLON MIL-P-19468
  - JIS H 3250, C 2600

- CRIMPED FERRULE  
HEX. CRIMP SIZE .213"
- CRIMPED CONTACT PIN  
HEX. CRIMP SIZE .100"

DIMENSIONS ARE IN MILLIMETERS					PART NO.		<b>Amphenol - Kai Jack</b> TAINAN TAIWAN	
UNLESS OTHERWISE SPECIFIED TOLERANCES					APPROVED	DATE		
5	FERRULE	NOTE 6	NOTE 2	1	FR-635/56X127	<i>galckey</i>	07-11-02'	TITLE N CRIMP JACK (FOR RG-55/U,142A/U,223/U,400/U)
4	CONTACT PIN	NOTE 3	NOTE 4	1	N7000-4-3/11		DATE	
3	BARREL	NOTE 1	NOTE 2	1	N5000-3-427/31-B		CHECKED	DATE
2	INSULATOR	NOTE 5	NATURAL	1	N5000-4T-50-A	<i>Ken</i>	07-11-02'	DRAWING NO. KJ-N6121A1-NT3G-223U-50
1	BODY	NOTE 1	NOTE 2	1	N7000-1		DATE	
SCALE 2.5/1					ISSUE	A	FILE NO. F:\DWG\N\6121A1\223U-50\NT3G	ITEM NO. 036121AAA26NA5F

7RD-DR/4836 8